
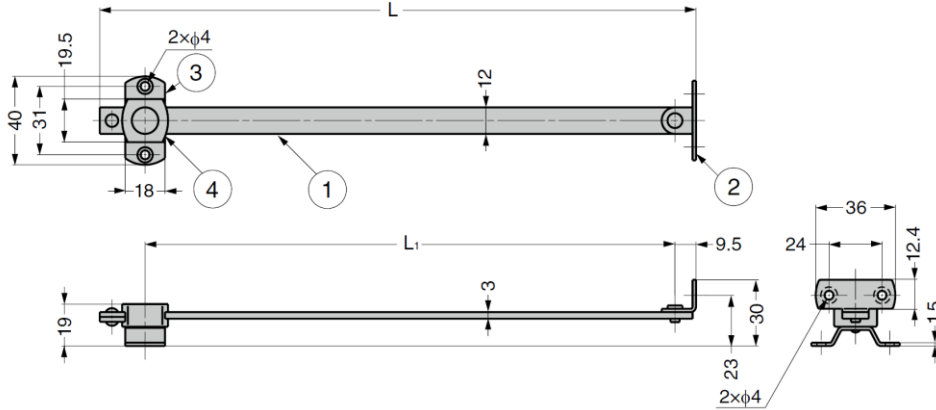


GHS Lid Stay

Downward opening

Opening Direction	Description
 Downward-opening	Non-handed



No.	Part Name	Material	Finish/Colour
①	Arm	Stainless Steel (SUS304)	Satin
②	Bracket		
③	Mounting Plate		
④	Body	PA	White

Part No.	L_1	L_2
GHS-180	210	180
GHS-210	240	210
GHS-240	270	240